

7 litres/minute

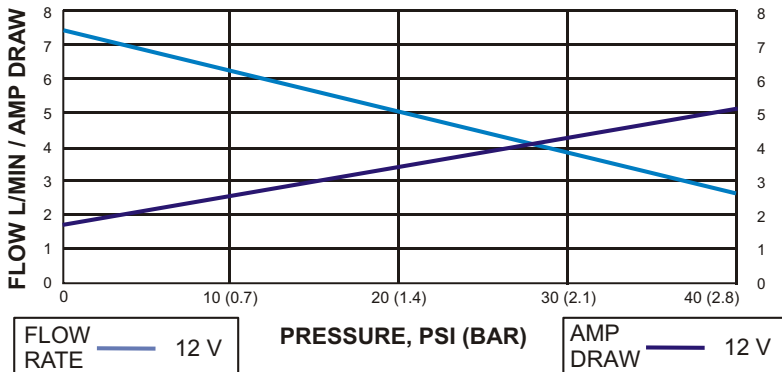
DIAPHRAGM WATER PUMP / GROUPE D'EAU A MEMBRANE

Model No: 3000-111-1212 (OEM)
3000-111-1214 (AM)

WORLD PATENT PENDING

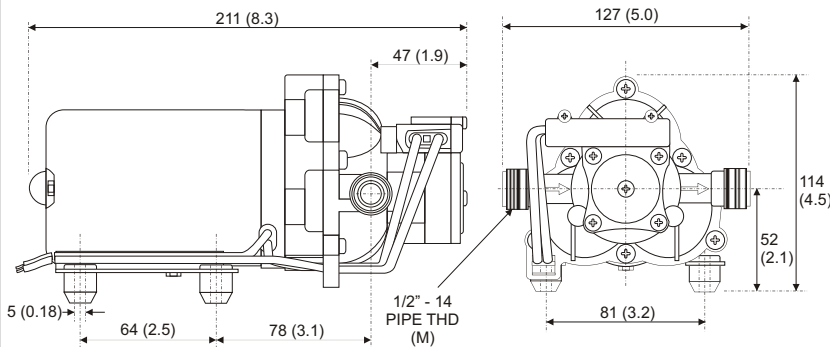


TYPICAL PERFORMANCE



TYPICAL DIMENSIONS

MM (Inches)



CONSTRUCTION MATERIALS:

Housing - Polypropylene
Valves - EPDM
Diaphragm - Santoprene
Hardware - Stainless Steel

STANDARD WARRANTY:

2 Year Limited Warranty

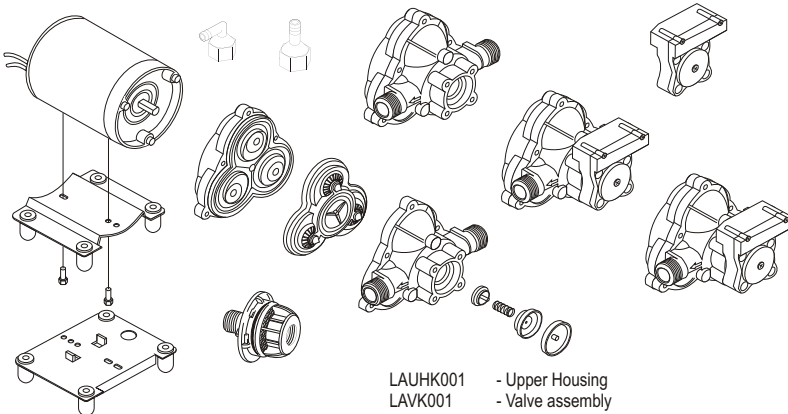
SHIPPING/FREIGHT DETAILS:

Single Pump (Boxed*)
Net weight - 2.1 kg (4.6 Lb) each
Dimensions: 300 x 200 x 150 mm (11.7 x 7.8 x 5.85 inches)
Standard carton of 10 pumps
Weight (10 each) - 23 kg (51 Lb)
Dimensions: 740 x 310 x 270 mm (28.9 x 12.1 x 10.5 inches)

LITERATURE:

Brochure: LAL-MAB-WW-2003
Installation Manual: LAL-MAI-WW-2003

*N.B. 3000-111-1212 are bulk packed and not individually boxed.



SPARES KITS/ACCESSORIES

LALPSK001 - Switch assembly only (16-40 psi)
LAPHLPO01 - Complete pump head (16-30 psi)
LAPHHPO01 - Complete pump head (30-50 psi)
LACVK001 - Check valve assembly

LAUHK001 - Upper Housing
LAVK001 - Valve assembly
LADDK001 - Diaphragm/drive assembly
LA12V1240CC - Motor 12V
LABP001 - Flat baseplate
LABPC001 - Cradle baseplate
170.CA.001 - Twist-On Filter (Strainer)
8.034 - Hose adaptor (Elbow)
8.070 - Hose Adaptor (Straight)

leisure accessories

BRITANNIA WORKS, HURRICANE WAY, NORWICH,
NORFOLK NR6 6EY UNITED KINGDOM
Tel: (0)1603 414551 Fax: (0)1603 789026

Website: www.leisureacc.com Email: leisureacc@aol.com

